

## 3-ARM TURNSTILE



## SCOPE OF OPERATION

- Turnstile Security Systems Inc's 1100 series line Waist high turnstiles provide an excellent means of controlling and counting the flow of pedestrian traffic in and out of your facility. Heavy duty construction, the latest in materials and manufacturing techniques ensure years of trouble-free operation.
- Comes in mechanical and electric units.
- Portable or fixed.

## MATERIALS

All materials meet the ASTM standards as set forth by the materials industry.

- All bearings are permanently lubricated.
- Mechanically fitted arms (stronger than welded).
- 17" stainless steel arms.
- Stainless steel lid.
- All locking and ratcheting components are hardened steel.
- Delrin main indexing cam for years of maintenance free reliability.
- Bronze oil-impregnated bushings.
- Adjustable hydraulic speed control.
- Black powder coated cabinet.ed control.
- 24 volt operating system.
- Adjustable time out delay.
- Fail safe or fail secure.

## MATERIALS (Cont'd)

- Stainless steel lid.
- Dry contact relay.
- 12 volt or 24 volt pulse relay.
- Heavy duty pull type solenoid.

## OPERATION

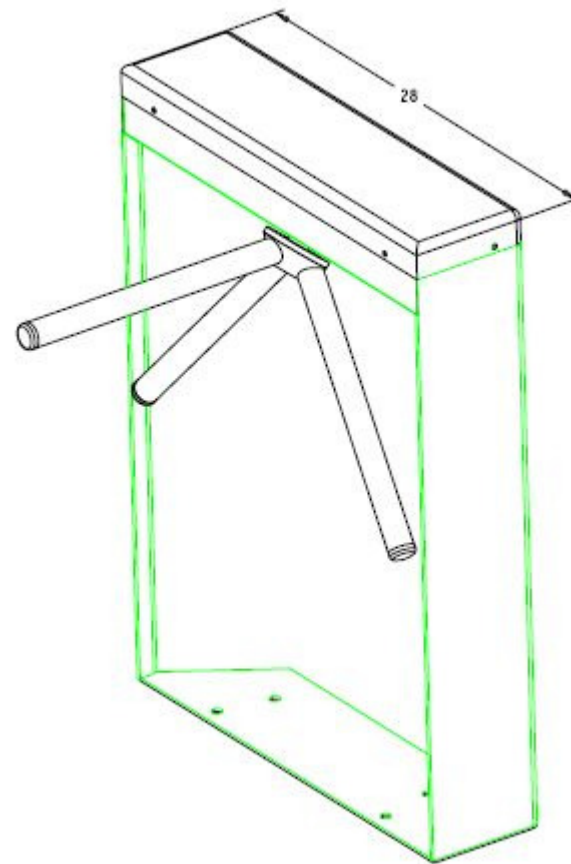
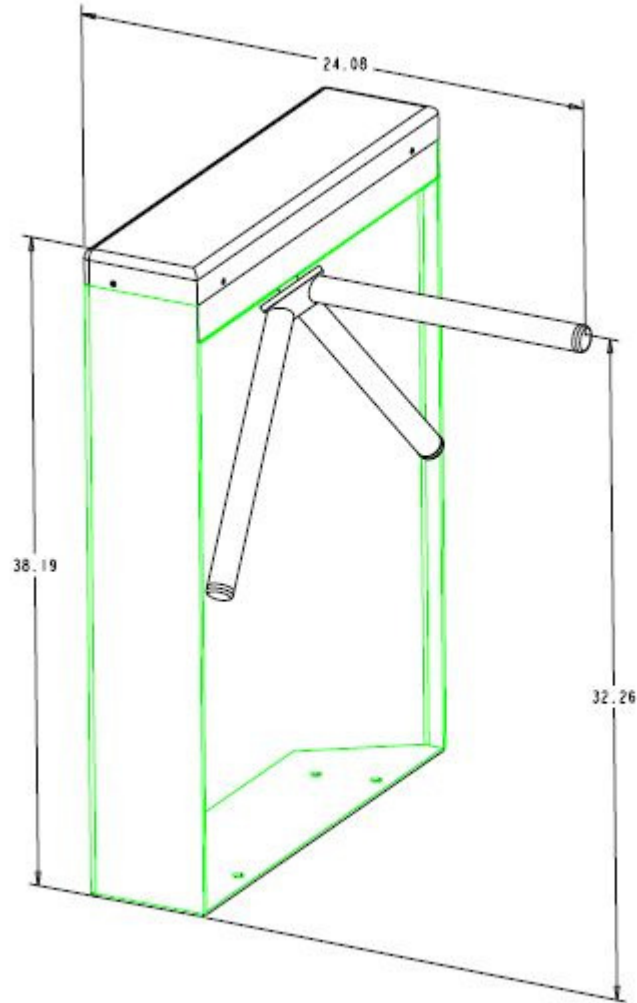
- Allows for one way or two way passage. The direction is set during fabrication.
- Activation is achieved by supplying a dry contact input through a push button or access control software.
- Available fail safe or fail secure.
- Standard micro switch activation for automatic reset.

## OPTIONS

- Indicating lights red/green.
- Push button.
- Electronic counter.
- Portable platform.



## ELEVATION DIAGRAM



## FLOOR PLAN

