

This Document Contains
Proprietary Information
and is the property of
TURNSTILE SECURITY SYSTEM
INC. and shall not be
reproduced, copied or used
as a basis for the
manufacture of equipment
without written permission.

TURNSTILE
SECURITY SYSTEM INC

40 ERIN PARK DRIVE
ERIN, ON NOB 1T0
TELL: (519)833-9494
TOLL FREE:(888)371-7922

MODEL:
AUTO GATE 5000 SERRIES

ASSY NAME:

MATERIAL:

RAW MATERIAL SIZE:

PART/ASSY NAME:

SIZE: A2

PART NO:

REV: 0

AUTO GATE 5000 SERRIES



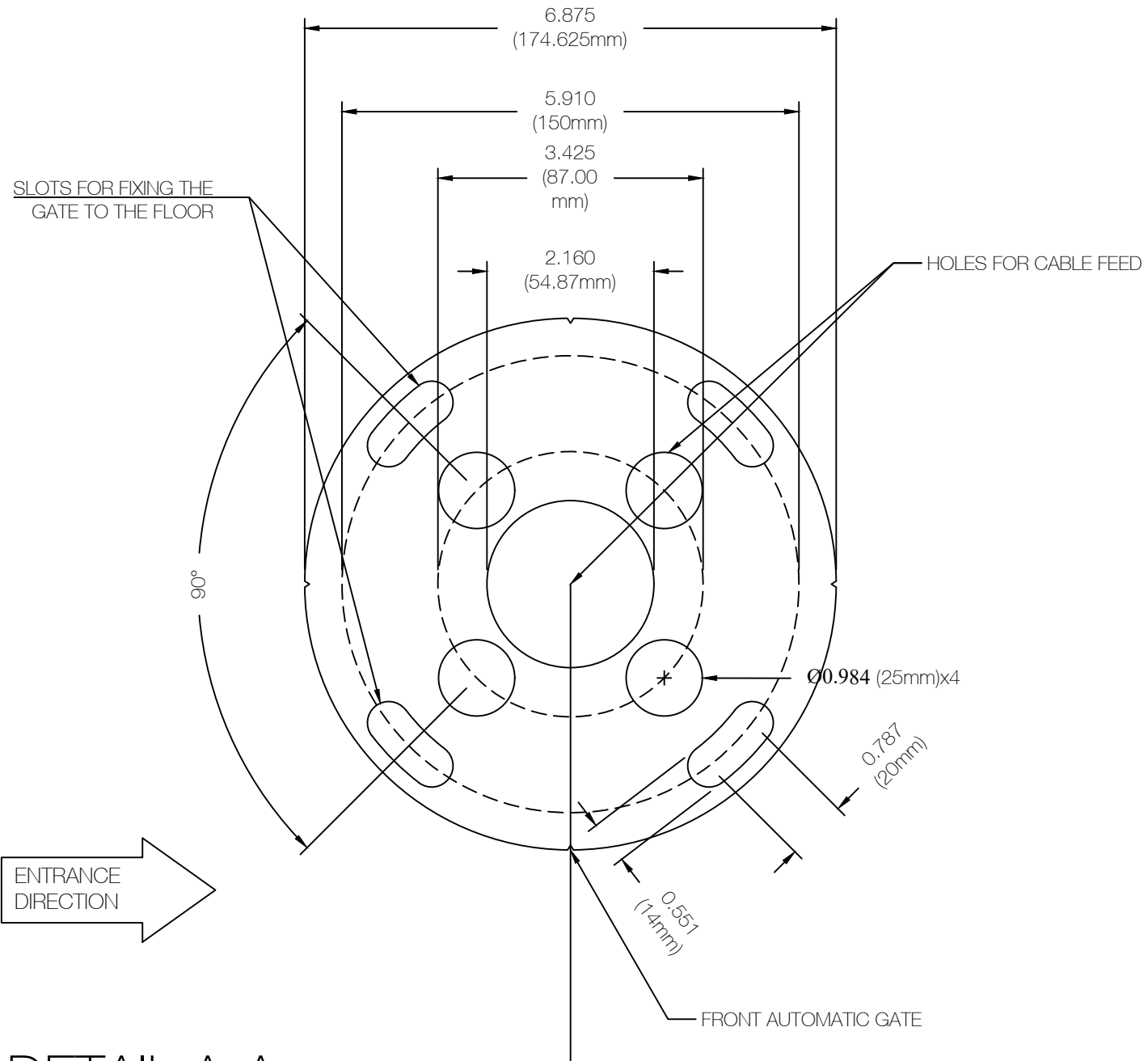
DRAWN GADP :	DATE: 09/JUL/2020
-----------------	----------------------

CHECKED GUENTER:	DATE:
---------------------	-------

APPROVED PERRY	DATE:
-------------------	-------

ALL DIMENSIONS SHOWN IN
INCHES & MM.

SHEET:
1 OF 2



DETAIL A-A

This Document Contains Proprietary Information and is the property of TURNSTILE SECURITY SYSTEM INC. and shall not be reproduced, copied or used as a basis for the manufacture of equipment without written permission.

TURNSTILE SECURITY SYSTEM INC

40 ERIN PARK DRIVE
ERIN, ON NOB 1T0
TELL: (519)833-9494
TOLL FREE: (888)371-7922

MODEL:
AUTO GATE 5000 SERRIES
ASSY NAME:

MATERIAL:

RAW MATERIAL SIZE:

PART/ASSY NAME:

SIZE: A2

PART NO:

REV: 0

AUTO GATE 5000 SERRIES



DRAWN :
GADP :

DATE:
09/JUL/2020

CHECKED :
GUENTER:

DATE:

APPROVED :
PERRY

DATE:

ALL DIMENSIONS SHOWN IN INCHES & MM.

SHEET:
1 OF 2